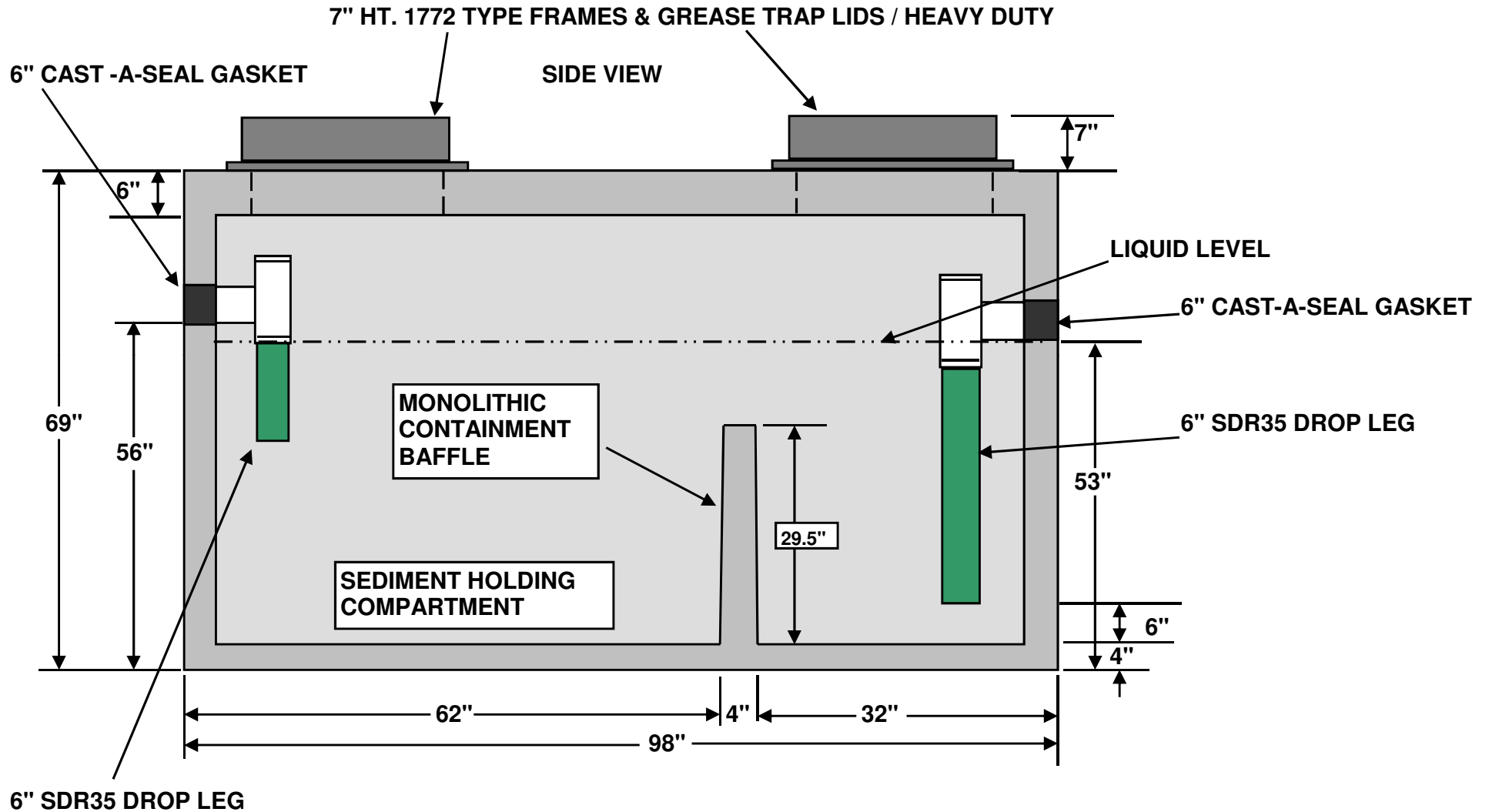


MCCREARY CONCRETE PRODUCTS, INC.
RUSHVILLE & CARMEL, INDIANA
765-932-3058 OR 317-844-5157



1000 GALLON COMMERCIAL GREASE/OIL/SEDIMENT
INTERCEPTOR H2O LOAD BEARING

"STOCK STRUCTURE"



NOT TO SCALE

STRUCTURE WEIGHT 10004 LBS.

RC252008

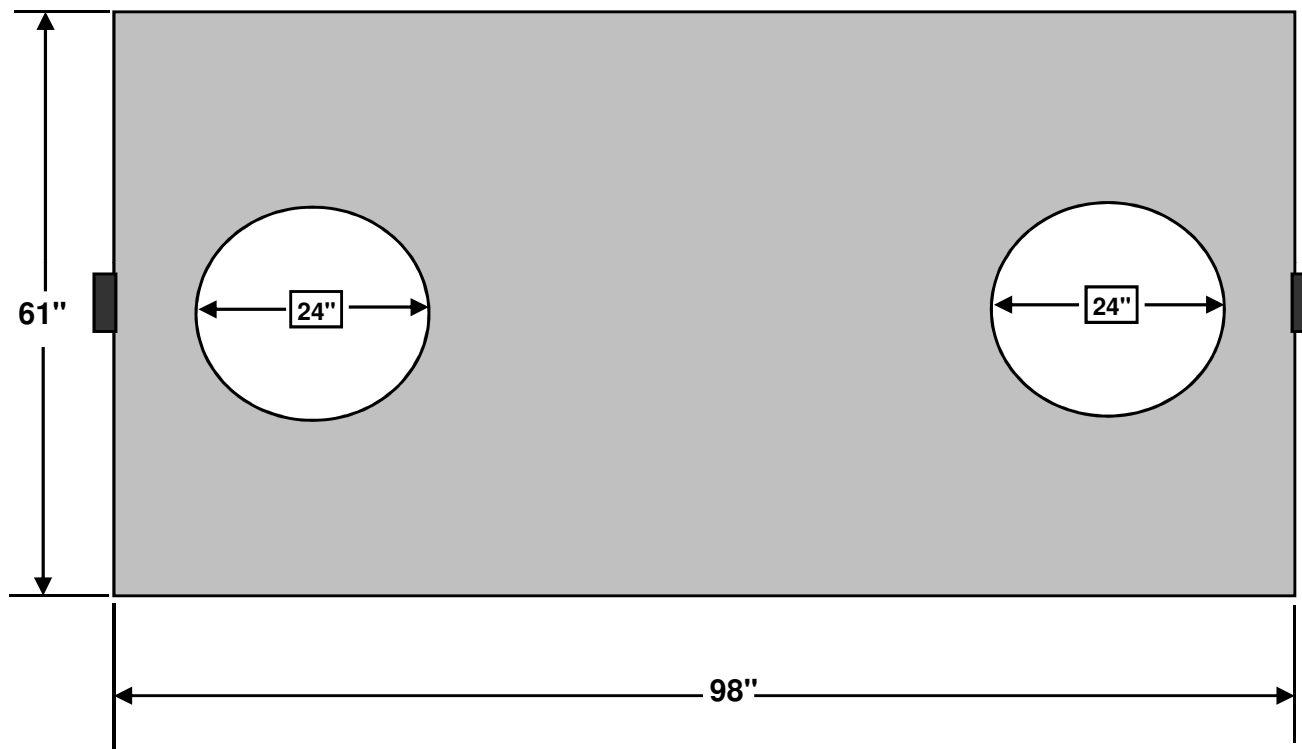
MCCREARY CONCRETE PRODUCTS, INC.
RUSHVILLE & CARMEL, INDIANA
765-932-3058 OR 317-844-5157



1000 GALLON COMMERCIAL GREASE/OIL/SEDIMENT
INTERCEPTOR H2O LOAD BEARING

"STOCK STRUCTURE"

TOP VIEW



NOT TO SCALE

STRUCTURE WEIGHT 10004 LBS.

RC252008