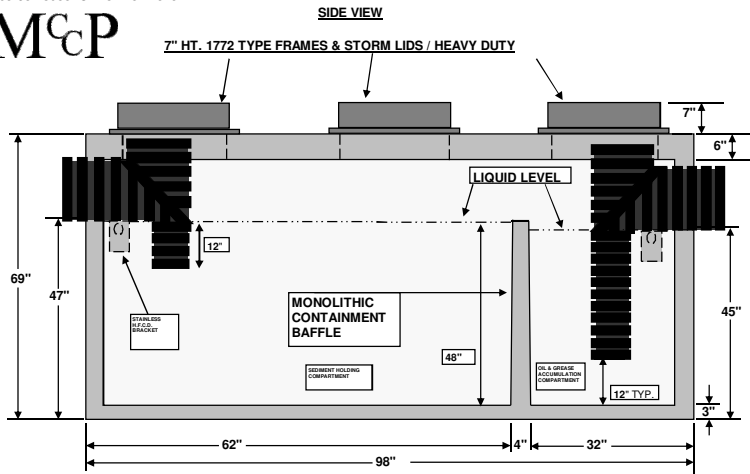
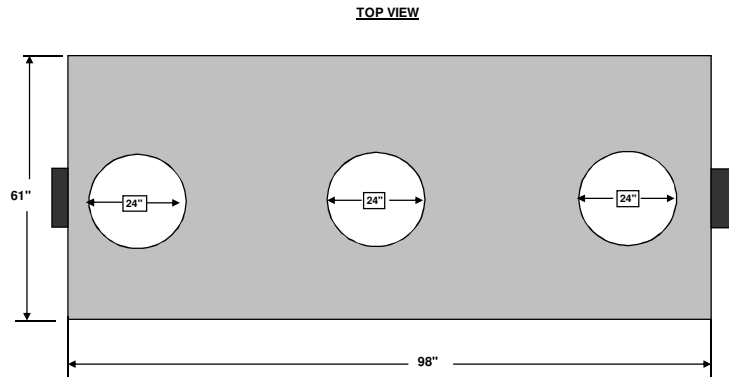


MCCREARY CONCRETE PRODUCTS, INC.
 RUSHVILLE & CARMEL, INDIANA
 765-932-3058 OR 317-844-5157

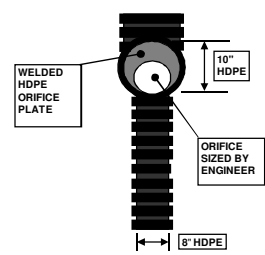
1000 SERIES HYDRAULIC STORMWATER CLARIFYING UNIT
H-20 LOAD BEARING



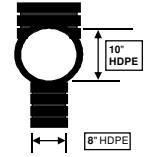
MAXIMUM CAPACITY OF STRUCTURE @ FULL LOAD CONTAINMENT IS 918 GALLONS @ OUTLET FLOW LINE.



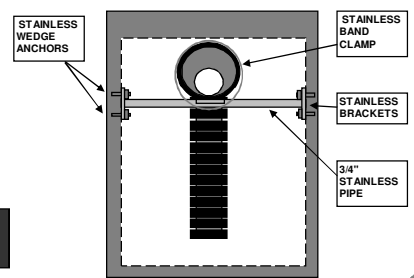
OUTLET HYDRAULIC FLOW CONTROL DEVICE DETAIL



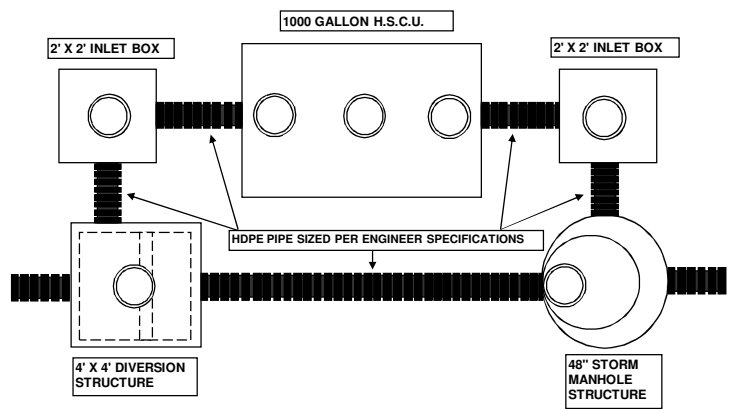
INLET HYDRAULIC FLOW CONTROL DEVICE DETAIL



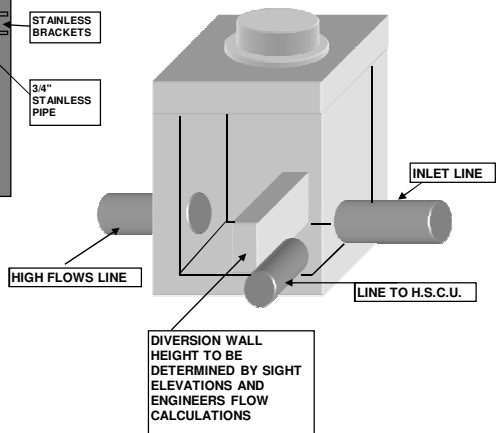
H.F.C.D. STAINLESS BRACKET DETAILS



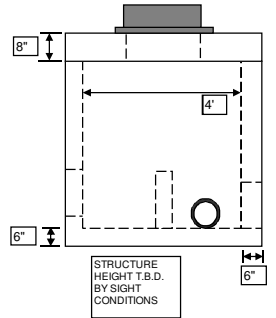
PROPOSED STORMWATER DIVERSION LAYOUT



TYPICAL DIVERSION STRUCTURE (CORNER CUTAWAY VIEW)



TYPICAL DIVERSION STRUCTURE (SIDE VIEW)



NOT TO SCALE

DS2112008