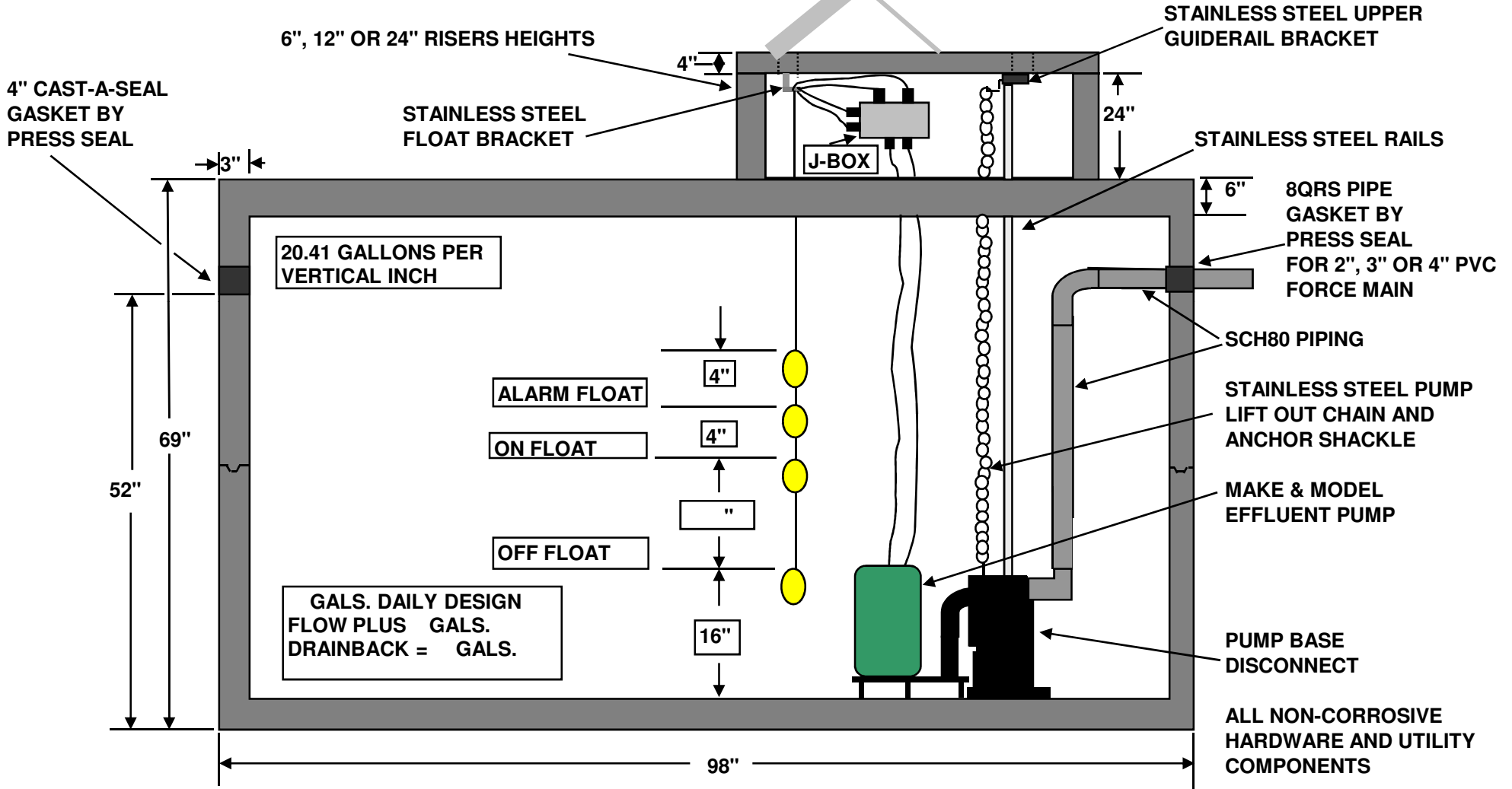


MCCREARY CONCRETE PRODUCTS, INC.
 RUSHVILLE AND CARMEL, INDIANA
 765-932-3058 OR 317-844-5157



1000 GALLON DUPLEX COMMERCIAL LIFT STATION
 H2O LOAD BEARING

SIDE VIEW CUT AWAY



NOT TO SCALE

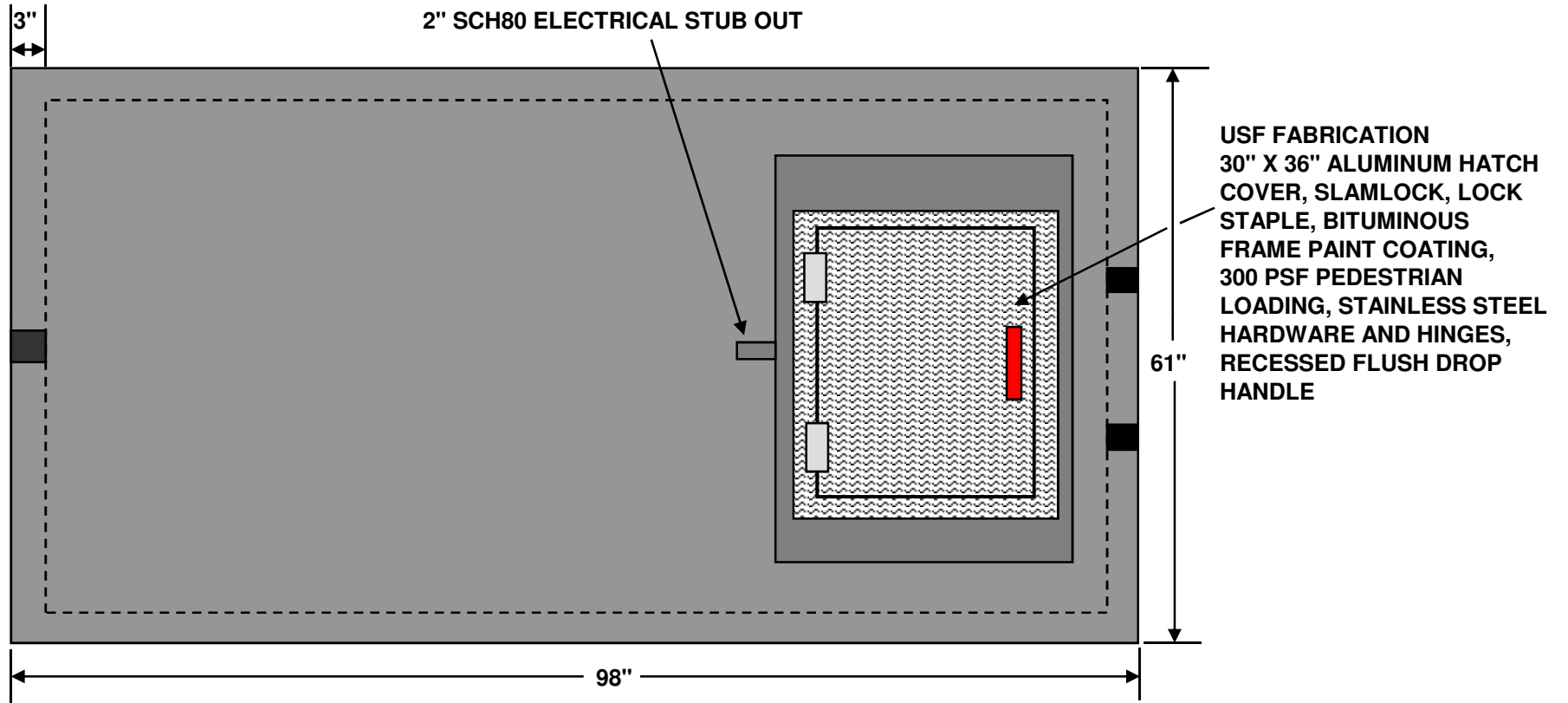
STRUCTURE WEIGHT 8991 LBS.

RC2192008

MCCREARY CONCRETE PRODUCTS, INC.
RUSHVILLE AND CARMEL, INDIANA
765-932-3058 OR 317-844-5157



1000 GALLON DUPLEX COMMERCIAL LIFT STATION
H20 LOAD BEARING



TOP VIEW

NOT TO SCALE

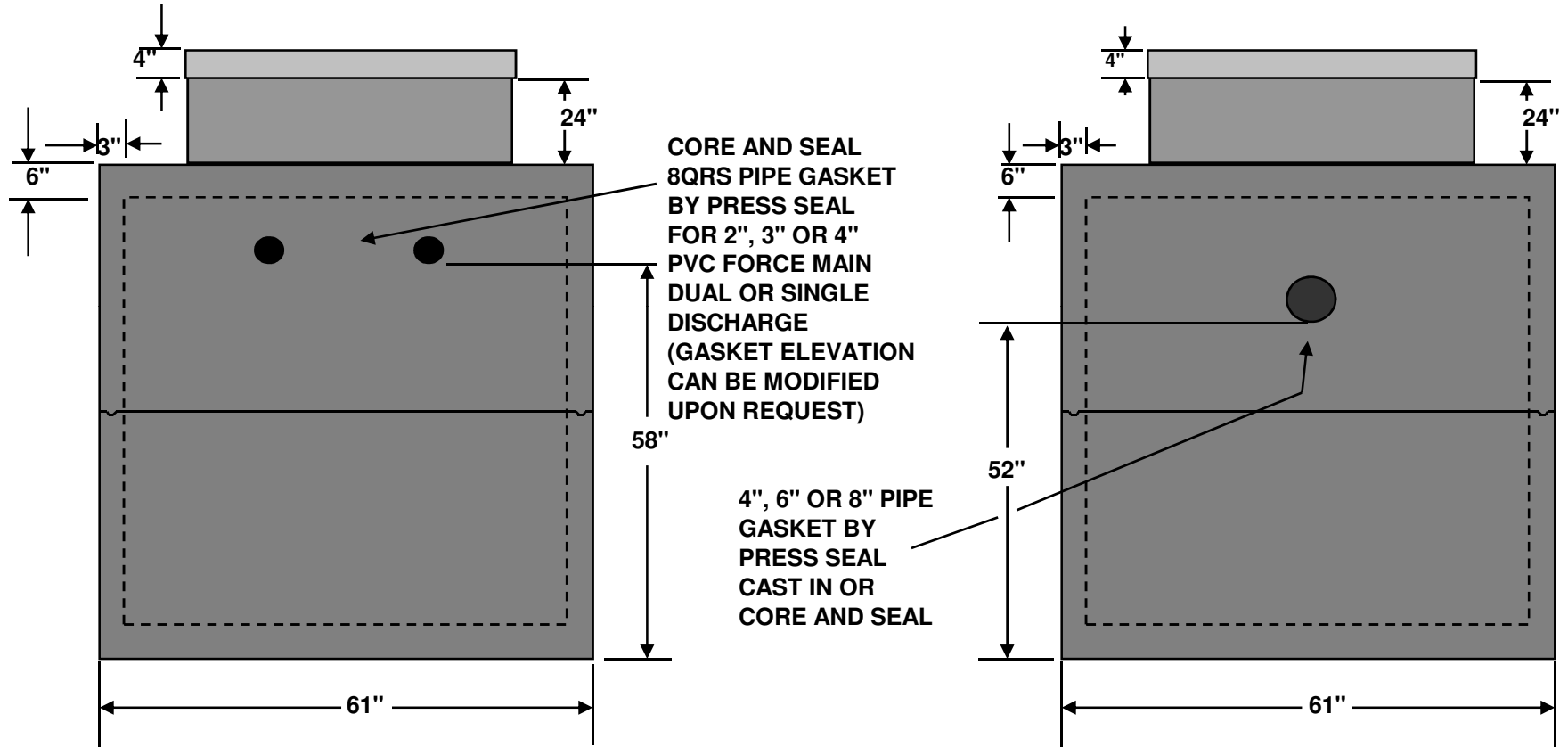
STRUCTURE WEIGHT 8991 LBS.

RC2192008

MCCREARY CONCRETE PRODUCTS, INC.
RUSHVILLE AND CARMEL, INDIANA
765-932-3058 OR 317-844-5157



1000 GALLON DUPLEX COMMERCIAL LIFT STATION
H2O LOAD BEARING



OUTLET END VIEW

INLET END VIEW

NOT TO SCALE

STRUCTURE WEIGHT 8991 LBS.

RC2192008