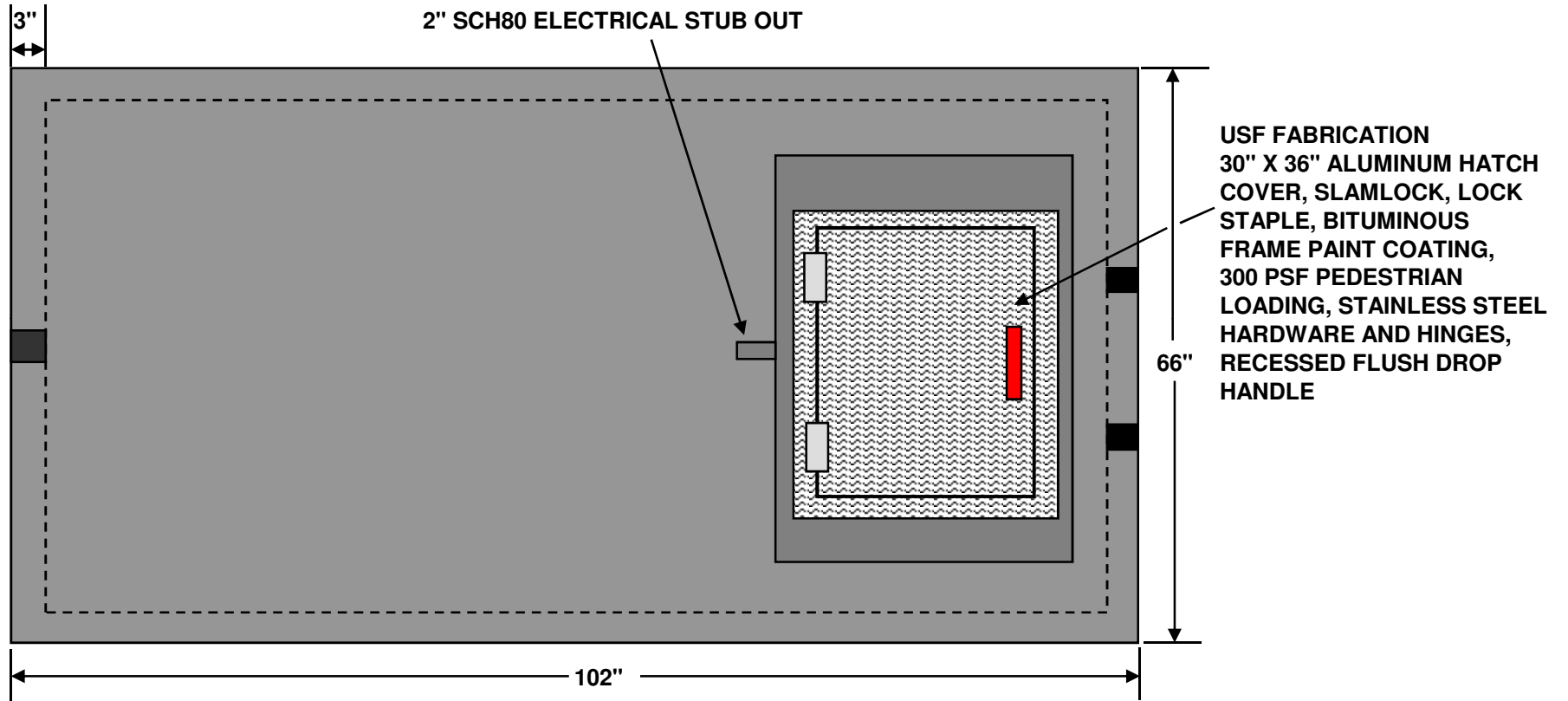




MCCREARY CONCRETE PRODUCTS, INC.  
RUSHVILLE AND CARMEL, INDIANA  
765-932-3058 OR 317-844-5157



1250 GALLON DUPLEX COMMERCIAL LIFT STATION  
H20 LOAD BEARING



TOP VIEW

NOT TO SCALE

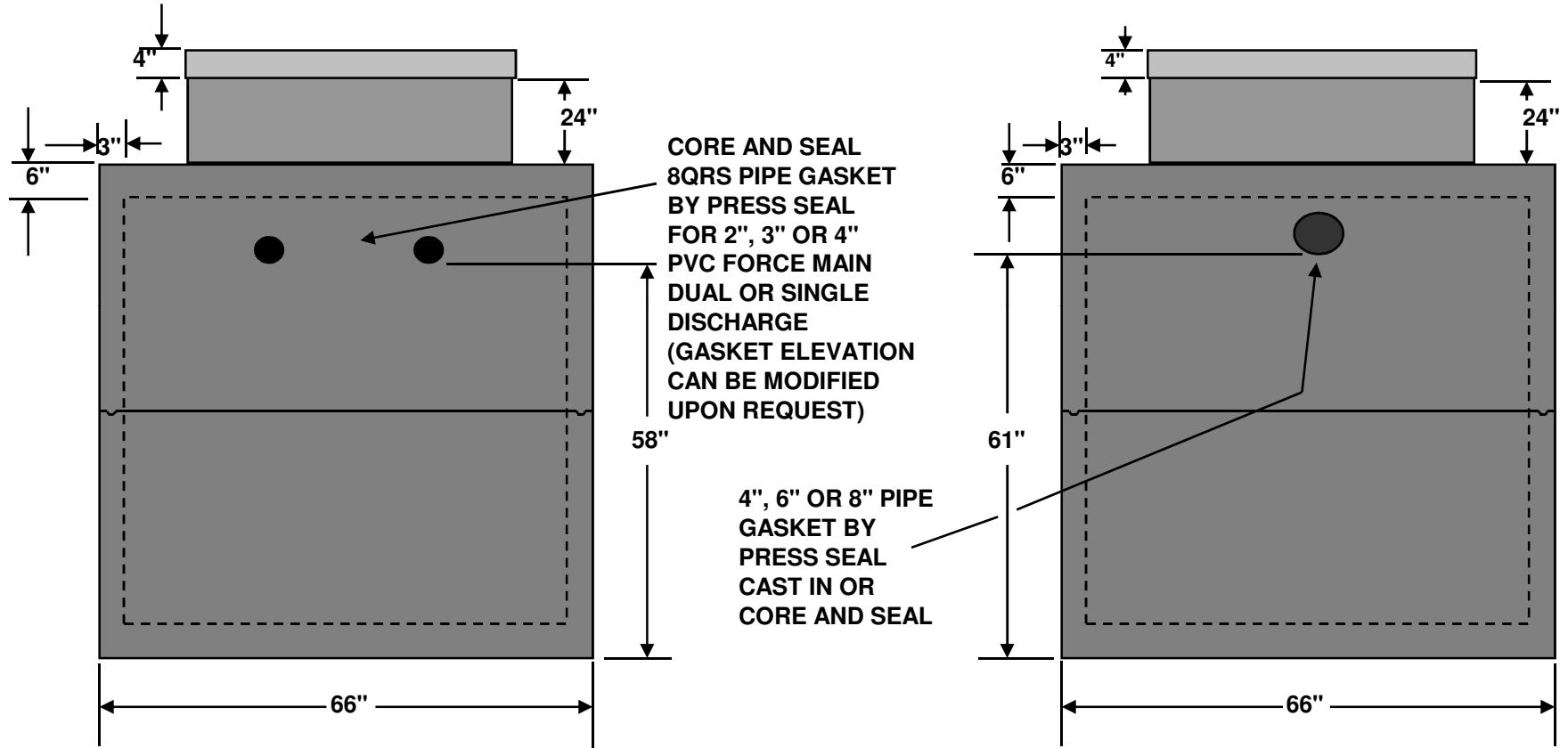
STRUCTURE WEIGHT 10611 LBS.

RC2252008

MCCREARY CONCRETE PRODUCTS, INC.  
RUSHVILLE AND CARMEL, INDIANA  
765-932-3058 OR 317-844-5157



1250 GALLON DUPLEX COMMERCIAL LIFT STATION  
H2O LOAD BEARING



OUTLET END VIEW

INLET END VIEW

NOT TO SCALE

STRUCTURE WEIGHT 10611 LBS.

RC2252008