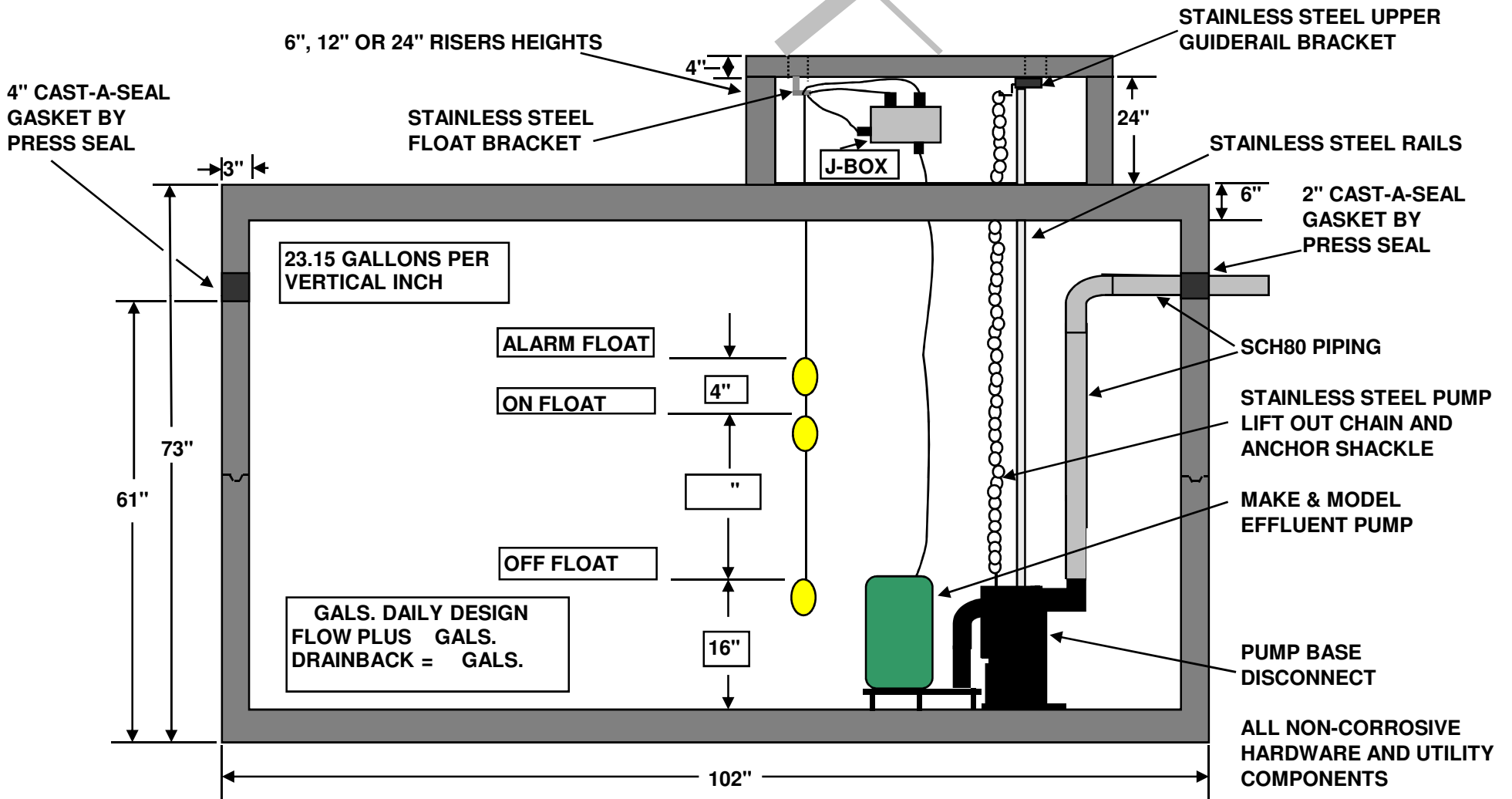


MCCREARY CONCRETE PRODUCTS, INC.
RUSHVILLE AND CARMEL, INDIANA
765-932-3058 OR 317-844-5157



1250 GALLON SIMPLEX COMMERCIAL LIFT STATION
H2O LOAD BEARING

SIDE VIEW CUT AWAY



NOT TO SCALE

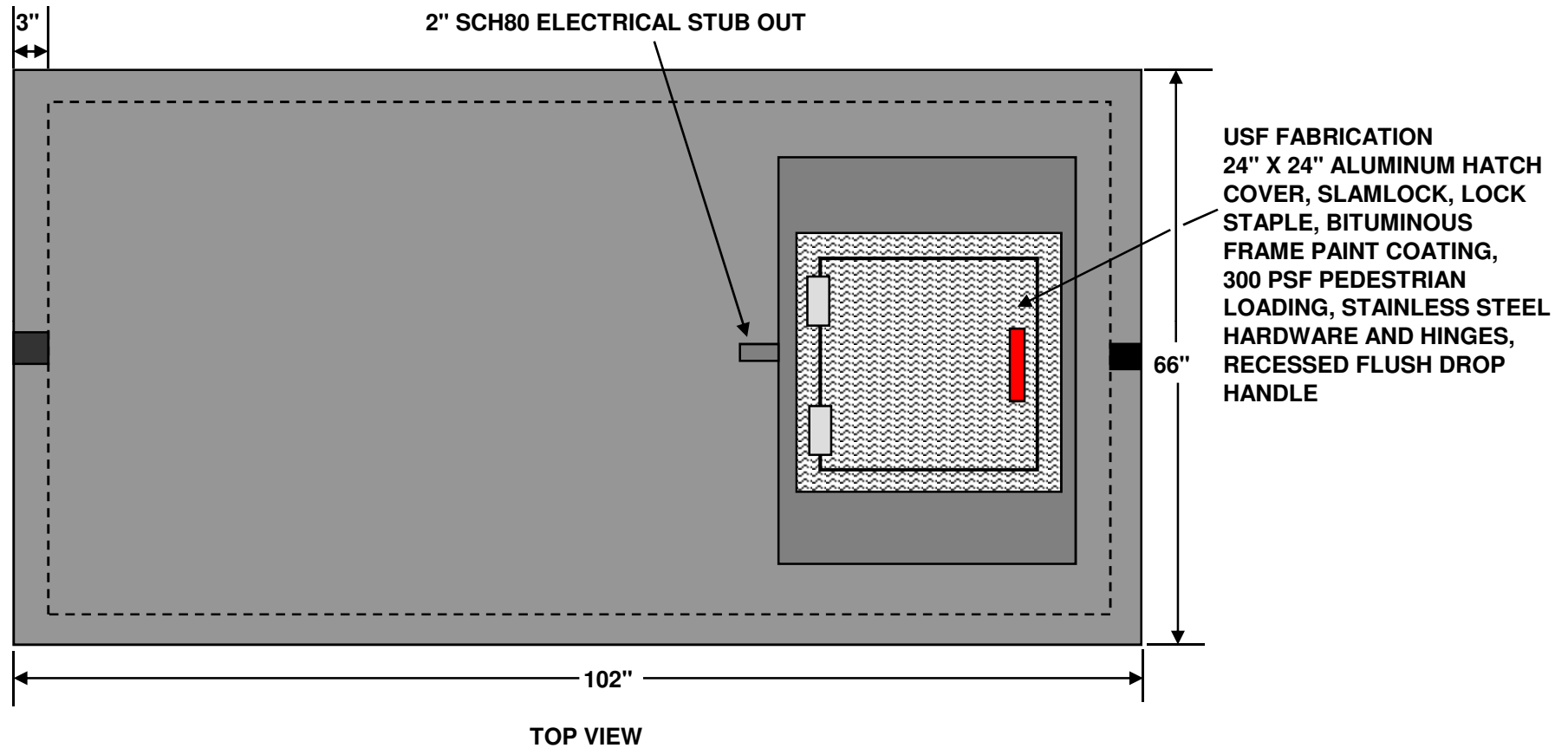
STRUCTURE WEIGHT 10611 LBS.

RC2252008

MCCREARY CONCRETE PRODUCTS, INC.
RUSHVILLE AND CARMEL, INDIANA
765-932-3058 OR 317-844-5157



1250 GALLON SIMPLEX COMMERCIAL LIFT STATION
H2O LOAD BEARING



NOT TO SCALE

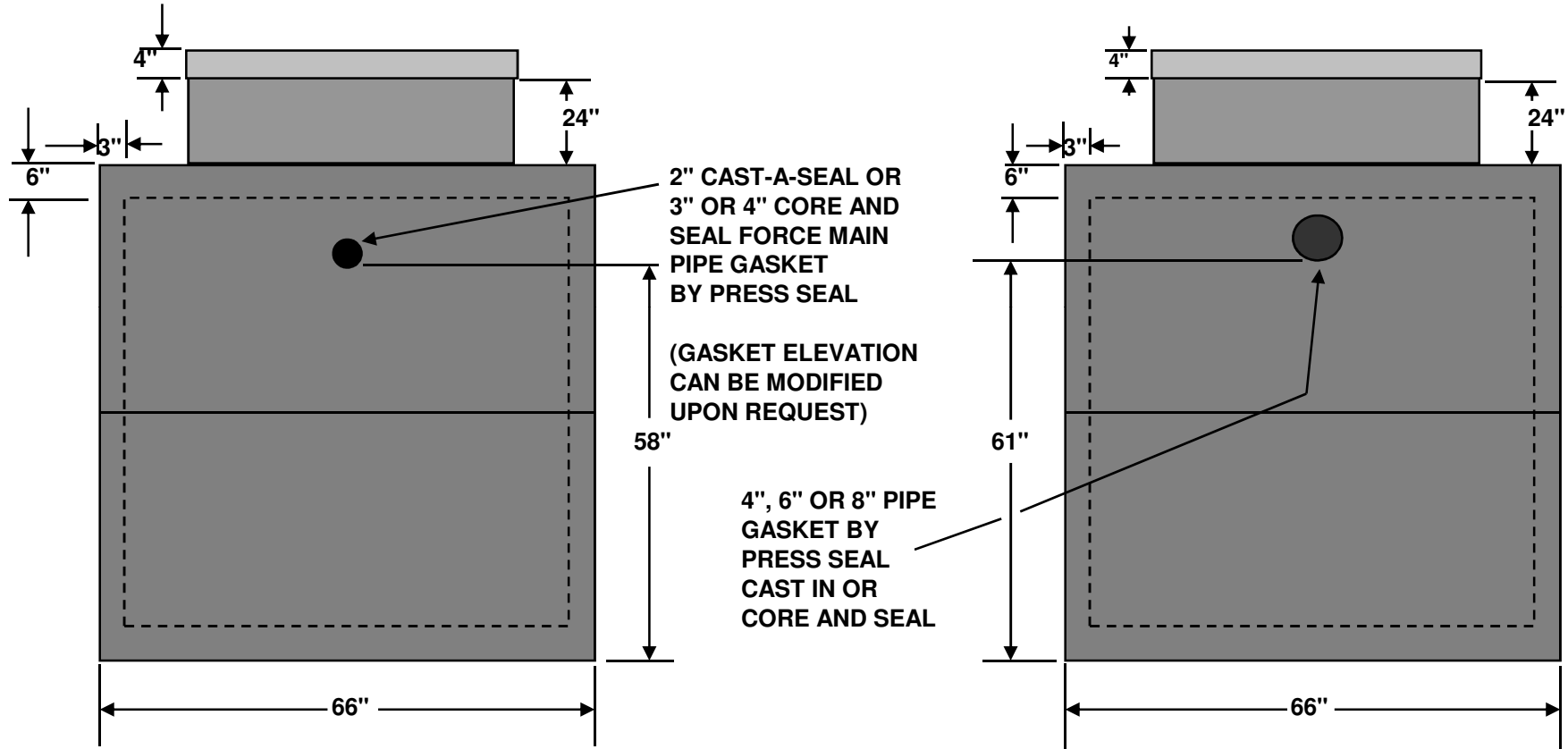
STRUCTURE WEIGHT 10611 LBS.

RC2252008

MCCREARY CONCRETE PRODUCTS, INC.
RUSHVILLE AND CARMEL, INDIANA
765-932-3058 OR 317-844-5157



1250 GALLON SIMPLEX COMMERCIAL LIFT STATION
H2O LOAD BEARING



OUTLET END VIEW

INLET END VIEW

NOT TO SCALE

STRUCTURE WEIGHT 10611 LBS.

RC2252008