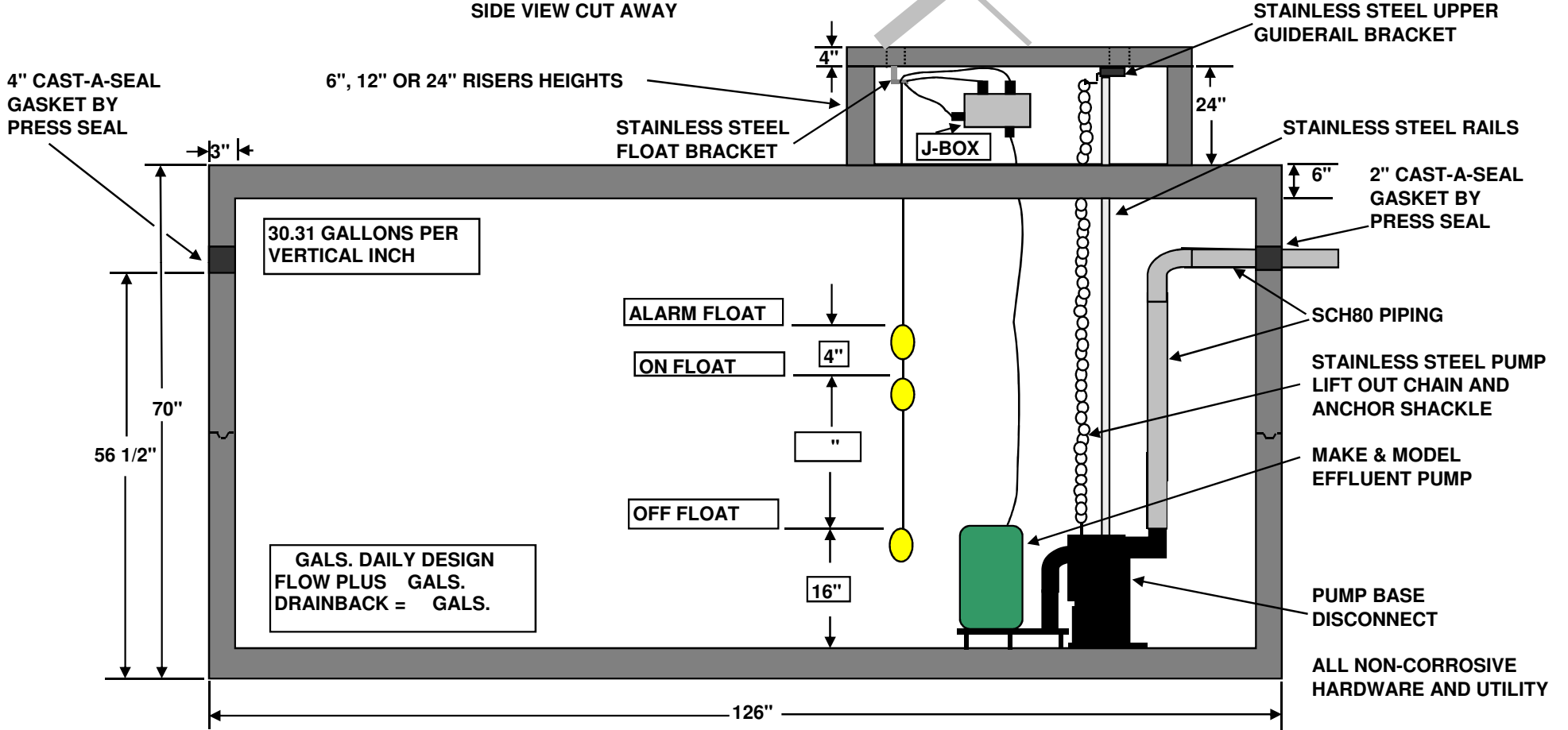


MCCREARY CONCRETE PRODUCTS, INC.
 RUSHVILLE AND CARMEL, INDIANA
 765-932-3058 OR 317-844-5157



1500 GALLON SIMPLEX COMMERCIAL LIFT STATION
 H2O LOAD BEARING

SIDE VIEW CUT AWAY



NOT TO SCALE

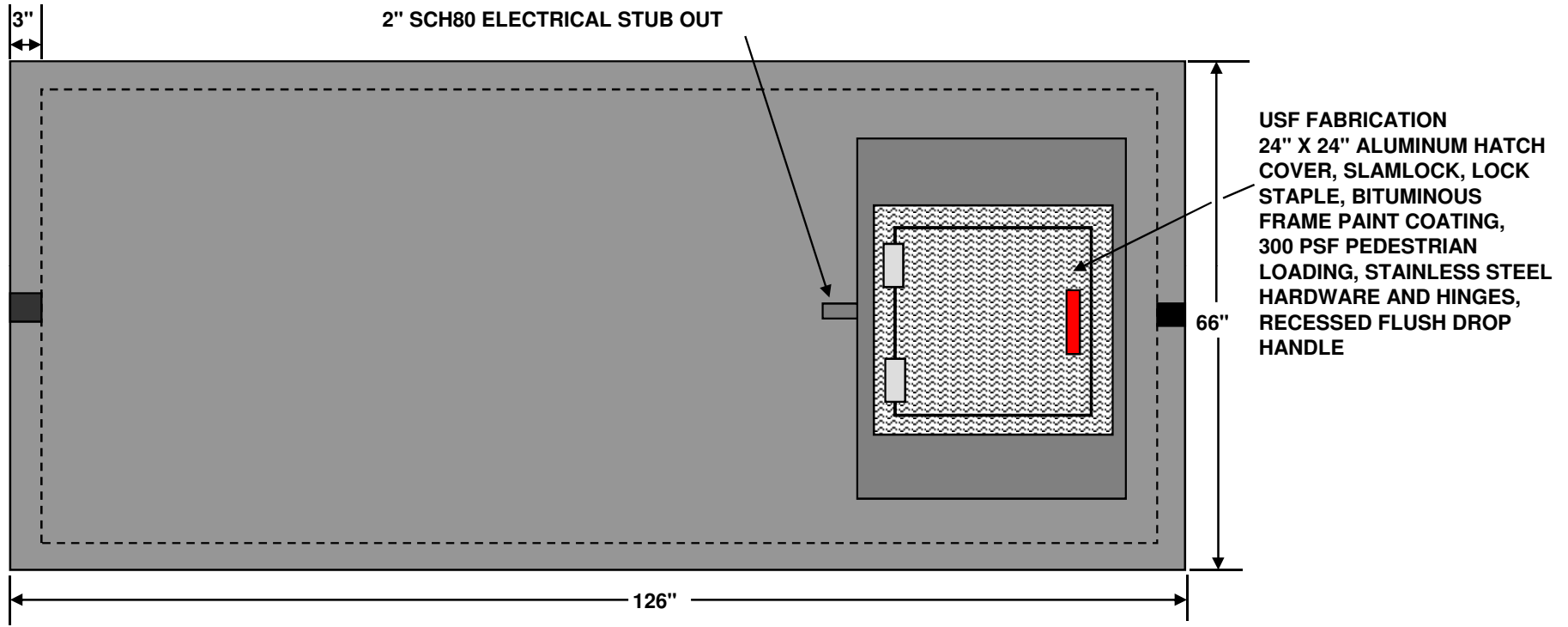
STRUCTURE WEIGHT 13041 LBS.

RC2252008

MCCREARY CONCRETE PRODUCTS, INC.
RUSHVILLE AND CARMEL, INDIANA
765-932-3058 OR 317-844-5157



1500 GALLON SIMPLEX COMMERCIAL LIFT STATION
H2O LOAD BEARING



TOP VIEW

NOT TO SCALE

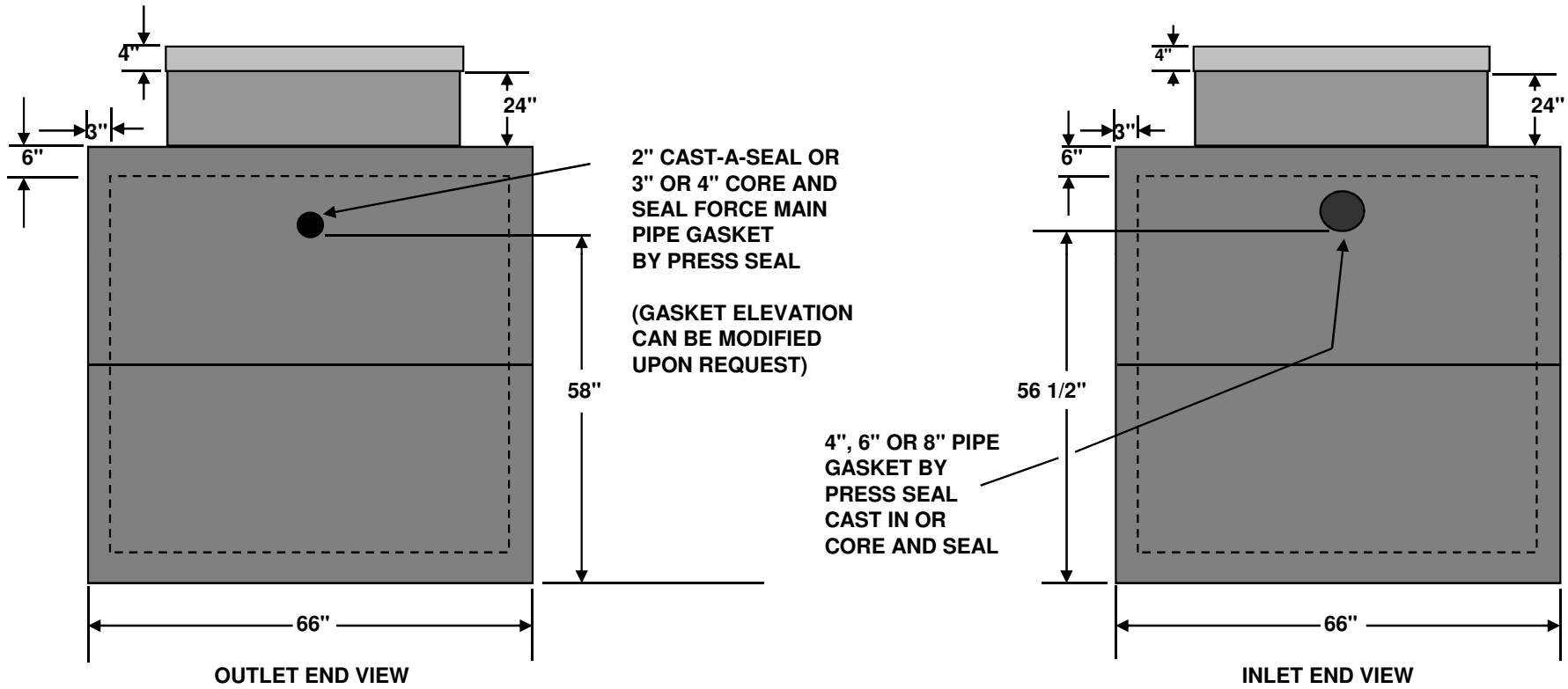
STRUCTURE WEIGHT 13041 LBS.

RC2252008

MCCREARY CONCRETE PRODUCTS, INC.
RUSHVILLE AND CARMEL, INDIANA
765-932-3058 OR 317-844-5157



1500 GALLON SIMPLEX COMMERCIAL LIFT STATION
H2O LOAD BEARING



NOT TO SCALE

STRUCTURE WEIGHT 13041 LBS.

RC2252008