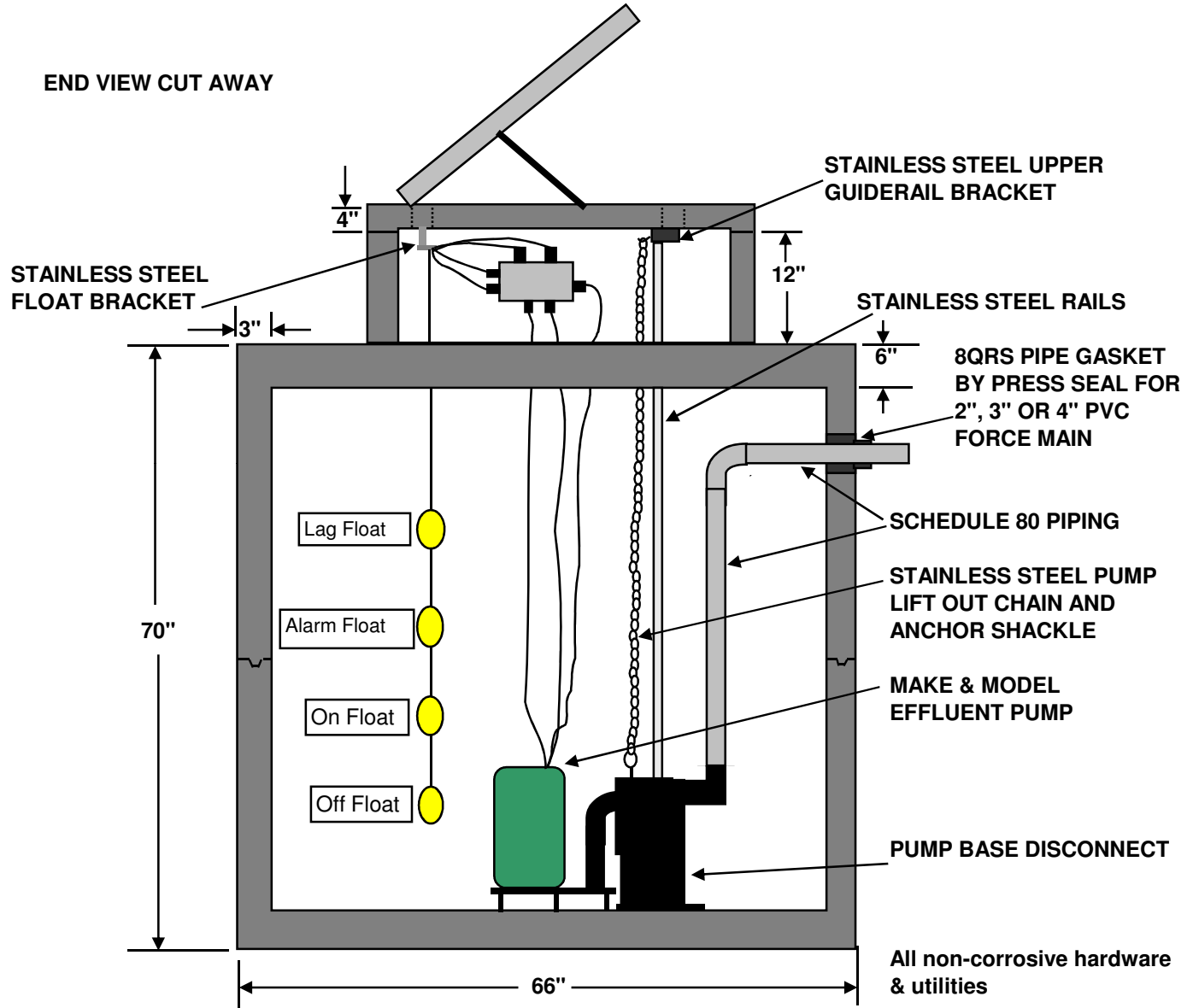


MCCREARY CONCRETE PRODUCTS, INC.  
RUSHVILLE AND CARMEL, INDIANA  
765-932-3058 OR 317-844-5157



1500 GALLON TRIPLEX COMMERCIAL LIFT STATION



NOT TO SCALE

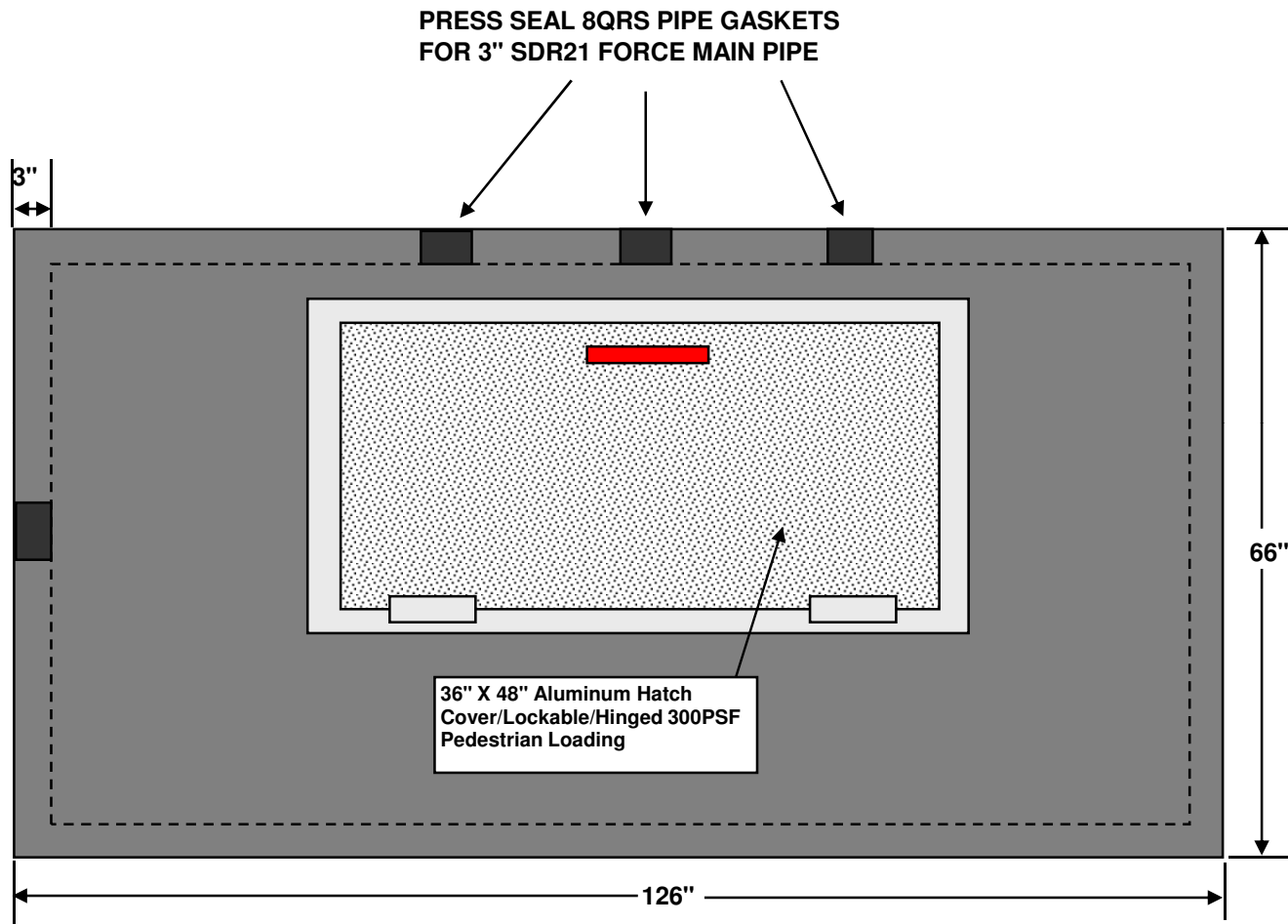
STRUCTURE WEIGHT 13041 LBS.

RC2262008

MCCREARY CONCRETE PRODUCTS, INC.  
RUSHVILLE AND CARMEL, INDIANA  
765-932-3058 OR 317-844-5157



1500 GALLON TRIPLEX COMMERCIAL LIFT STATION



TOP VIEW

NOT TO SCALE

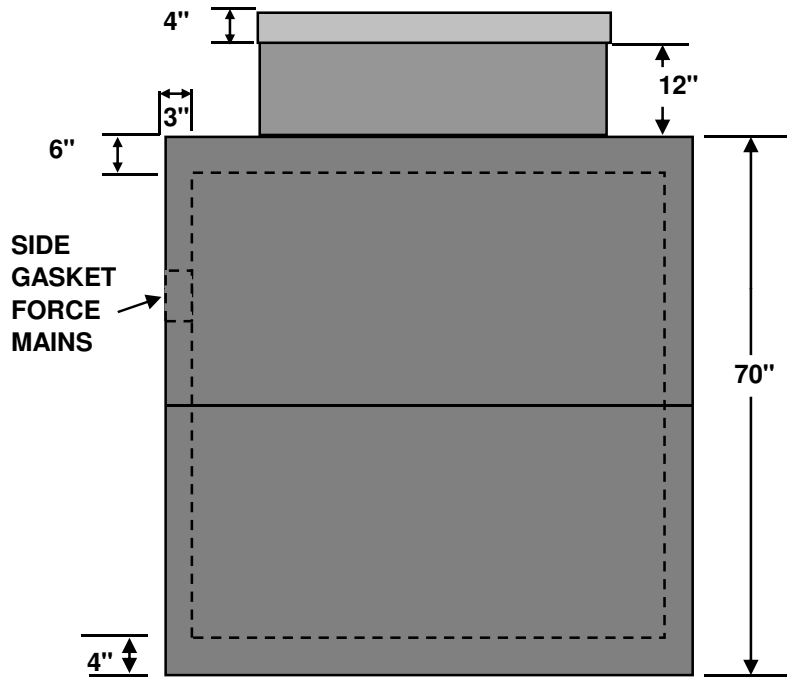
STRUCTURE WEIGHT 13041 LBS.

RC2262008

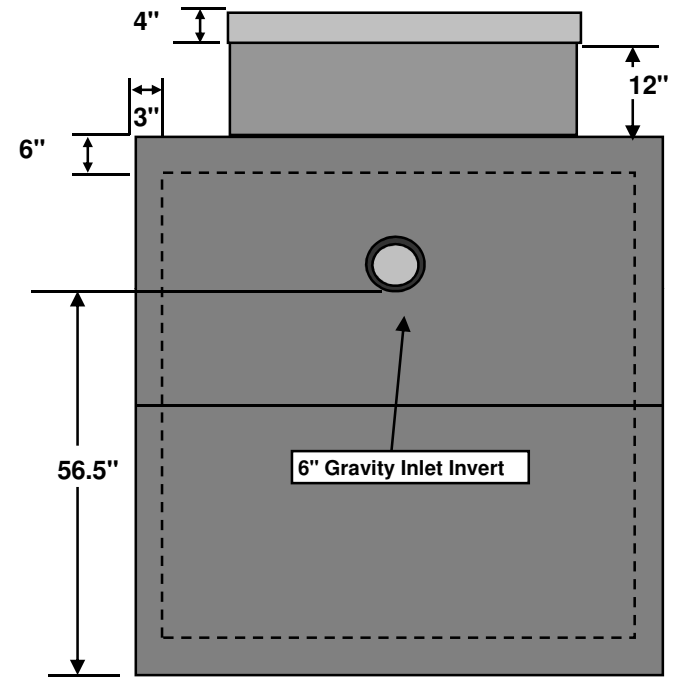
MCCREARY CONCRETE PRODUCTS, INC.  
RUSHVILLE AND CARMEL, INDIANA  
765-932-3058 OR 317-844-5157



1500 GALLON TRIPLEX COMMERCIAL LIFT STATION



END VIEW

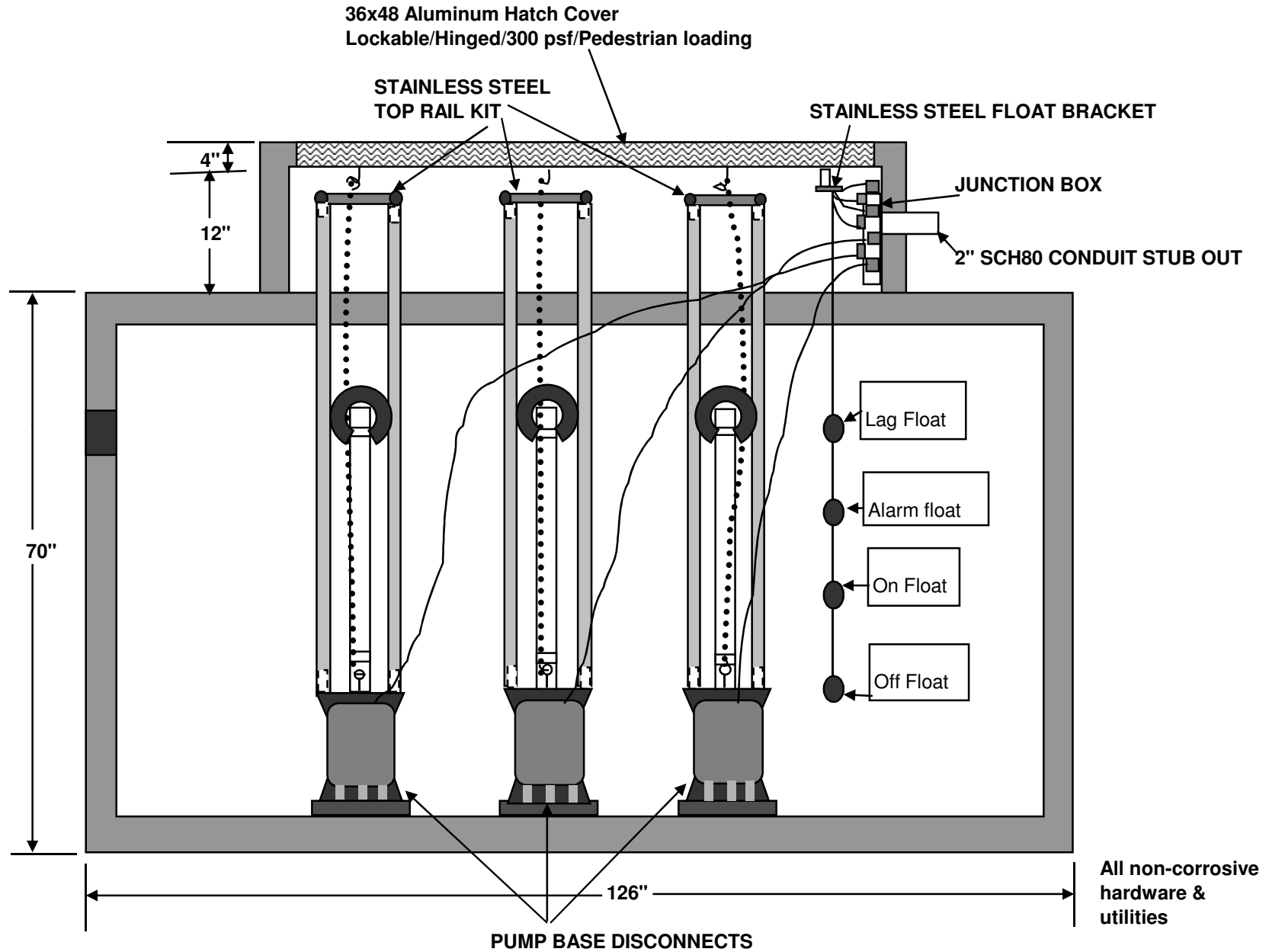


INLET END VIEW

NOT TO SCALE

STRUCTURE WEIGHT 13041 LBS.

RC2262008



END VIEW CUT AWAY