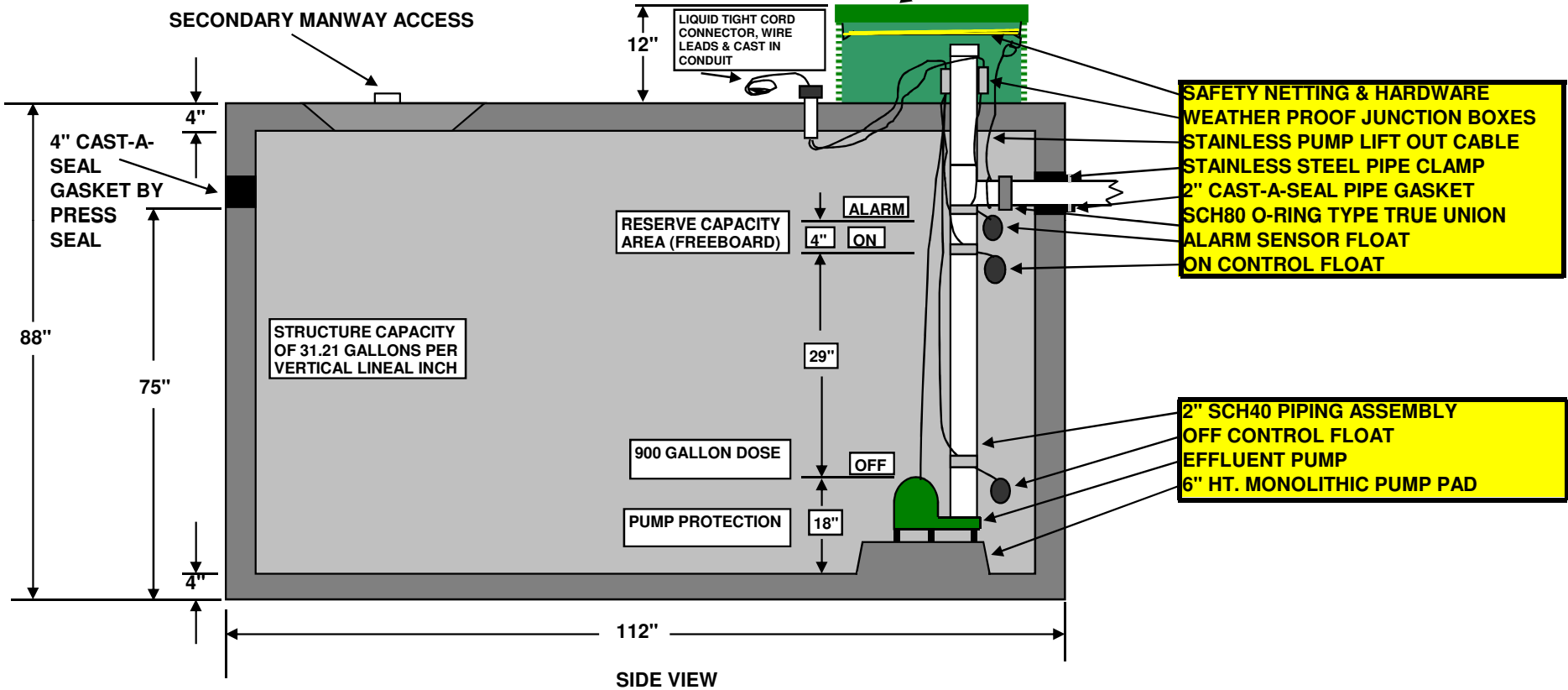


MCCREARY CONCRETE PRODUCTS, INC.
 RUSHVILLE AND CARMEL, INDIANA
 765-932-3058 OR 317-844-5157



2000 GALLON DOSE TANK RESIDENTIAL

16" HT X 24" DIAMETER POLY COMPOSITE RISER CAST IN,
 STAINLESS STEEL TAMPER PROOF SCREWS &
 24" DIAMETER FIBERGLASS GASKETED LID



NOT TO SCALE

STRUCTURE WEIGHT 13881 LBS.

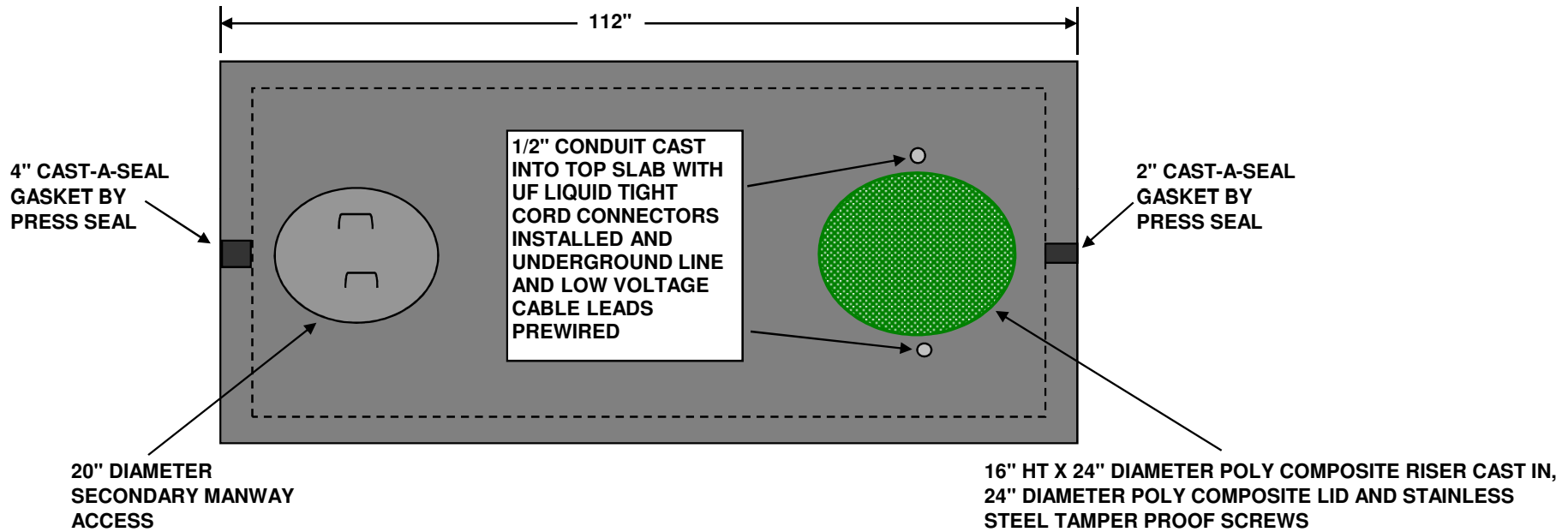
RC2112008

MCCREARY CONCRETE PRODUCTS, INC.
RUSHVILLE AND CARMEL, INDIANA
765-932-3058 OR 317-844-5157



2000 GALLON DOSE TANK RESIDENTIAL

TOP VIEW



NOT TO SCALE

STRUCTURE WEIGHT 13881 LBS.

RC2112008

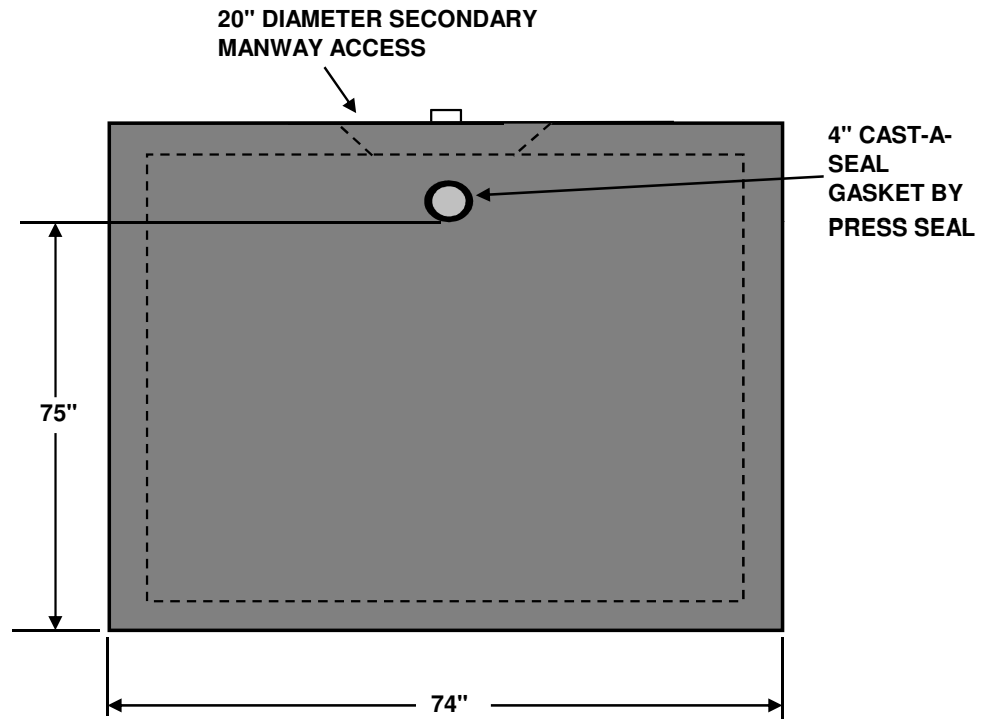
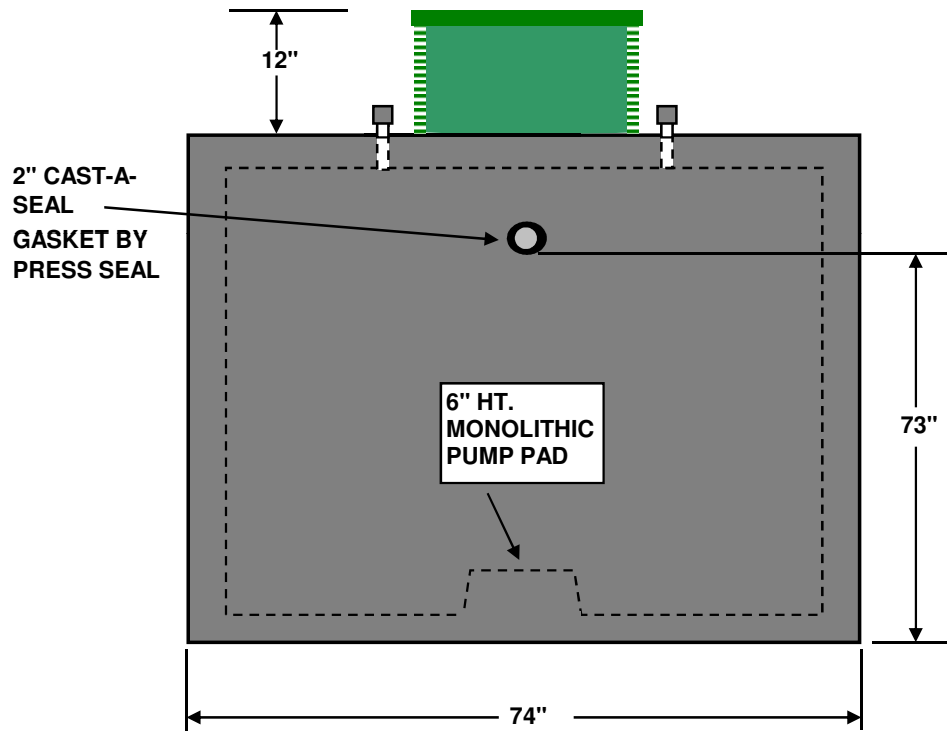
MCCREARY CONCRETE PRODUCTS, INC.
RUSHVILLE AND CARMEL, INDIANA
765-932-3058 OR 317-844-5157



2000 GALLON DOSE TANK RESIDENTIAL

OUTLET END

INLET END



NOT TO SCALE

STRUCTURE WEIGHT 13881 LBS.

RC2112008