

MCCREARY CONCRETE PRODUCTS, INC.
 RUSHVILLE AND CARMEL, INDIANA
 765-932-3058 OR 317-844-5157



2000 GALLON DUPLEX COMMERCIAL LIFT STATION
 H2O LOAD BEARING

SIDE VIEW CUT AWAY

4" CAST-A-SEAL
 GASKET BY
 PRESS SEAL

6", 12" OR 24" RISERS HEIGHTS

STAINLESS STEEL
 FLOAT BRACKET

J-BOX

STAINLESS STEEL UPPER
 GUIDERAIL BRACKET

STAINLESS STEEL RAILS

8QRS PIPE
 GASKET BY
 PRESS SEAL
 FOR 2", 3" OR 4" PVC
 FORCE MAIN

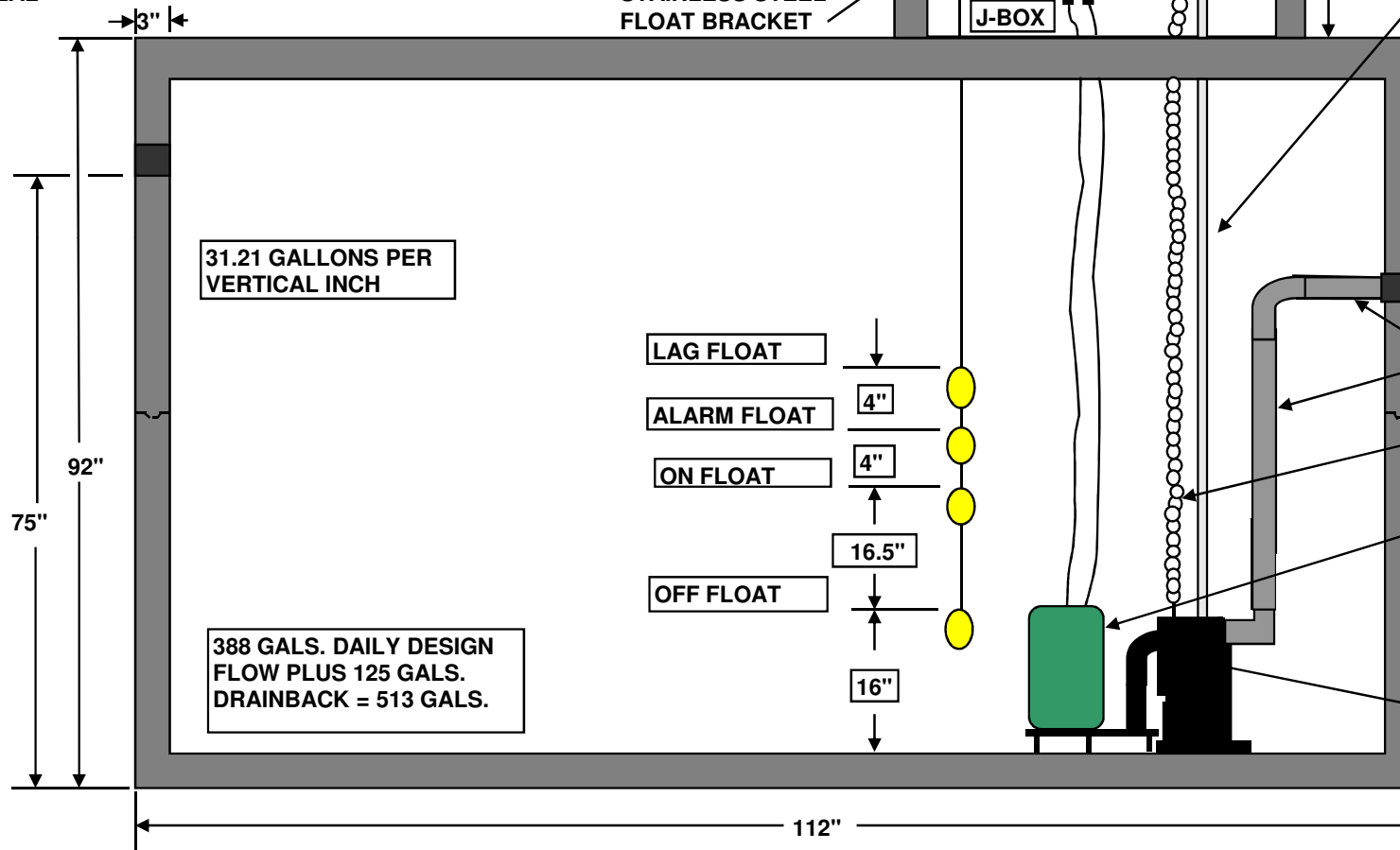
SCH80 PIPING

STAINLESS STEEL PUMP
 LIFT OUT CHAIN AND
 ANCHOR SHACKLE

MAKE & MODEL
 EFFLUENT PUMP

PUMP BASE
 DISCONNECT

ALL NON-CORROSIVE
 HARDWARE AND UTILITY
 COMPONENTS



NOT TO SCALE

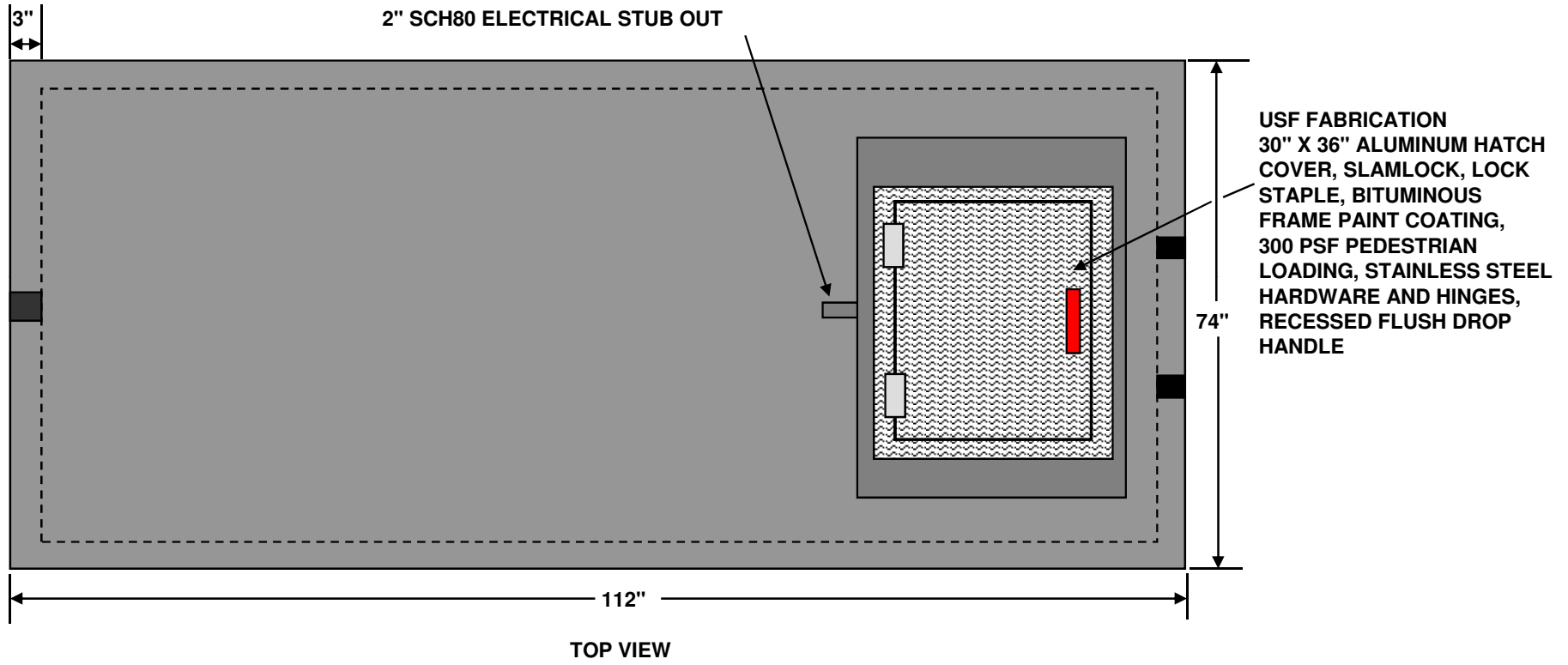
STRUCTURE WEIGHT 16760 LBS.

RC10022008

MCCREARY CONCRETE PRODUCTS, INC.
RUSHVILLE AND CARMEL, INDIANA
765-932-3058 OR 317-844-5157



2000 GALLON DUPLEX COMMERCIAL LIFT STATION
H2O LOAD BEARING



NOT TO SCALE

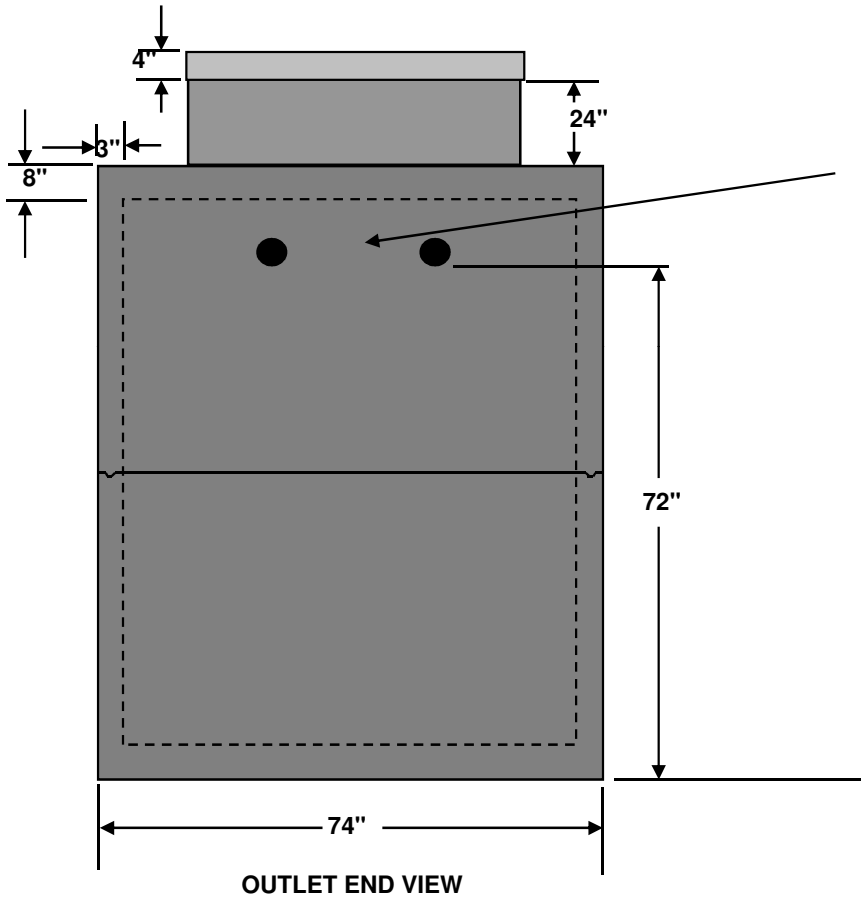
STRUCTURE WEIGHT 16760 LBS.

RC10022008

MCCREARY CONCRETE PRODUCTS, INC.
RUSHVILLE AND CARMEL, INDIANA
765-932-3058 OR 317-844-5157



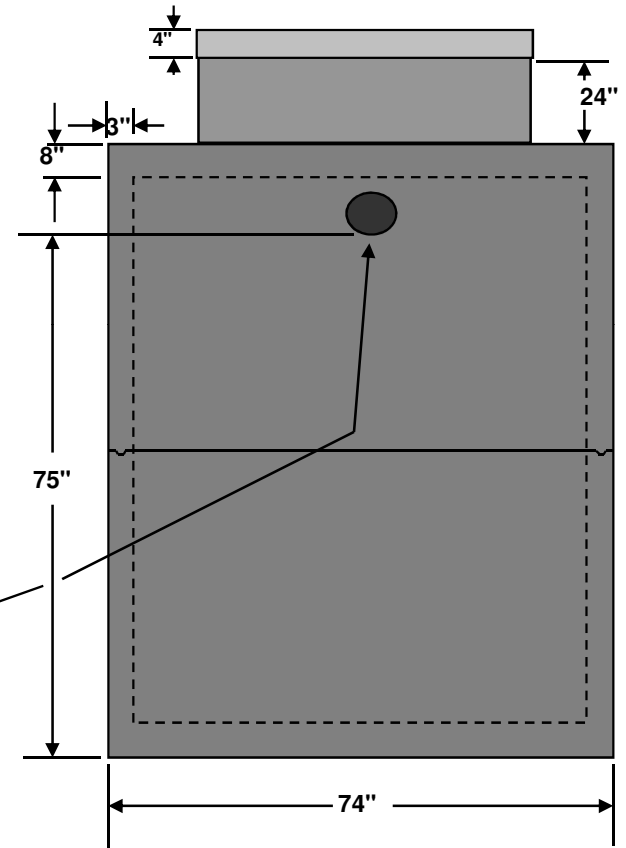
1500 GALLON DUPLEX COMMERCIAL LIFT STATION
H2O LOAD BEARING



OUTLET END VIEW

CORE AND SEAL
8QRS PIPE GASKET
BY PRESS SEAL
FOR 2", 3" OR 4"
PVC FORCE MAIN
DUAL OR SINGLE
DISCHARGE
(GASKET ELEVATION
CAN BE MODIFIED
UPON REQUEST)

4", 6" OR 8" PIPE
GASKET BY
PRESS SEAL
CAST IN OR
CORE AND SEAL



INLET END VIEW

NOT TO SCALE

STRUCTURE WEIGHT 16760 LBS.

RC10022008